

## Appendix F. RS-232 Serial Link Protocol

### F.I. Introduction

The My Music Player can be control with a serial link at the RS-232 standard. Its input protocol allows to receive orders to: play available audio sources (Main Media content, web radio, auxiliary input, etc.), stop or resume the playback, modify the main volume or update the Main Media content with FTP.

### F.II. Serial Link Configuration

| Baud Rate (Bauds) | Start Bit(s) | Data Bit(s) | Parity Bit(s) | Stop Bit(s) | Handshake |
|-------------------|--------------|-------------|---------------|-------------|-----------|
| 115200            | 1            | 8           | 0             | 1           | None      |

### F.III. Reception Protocol

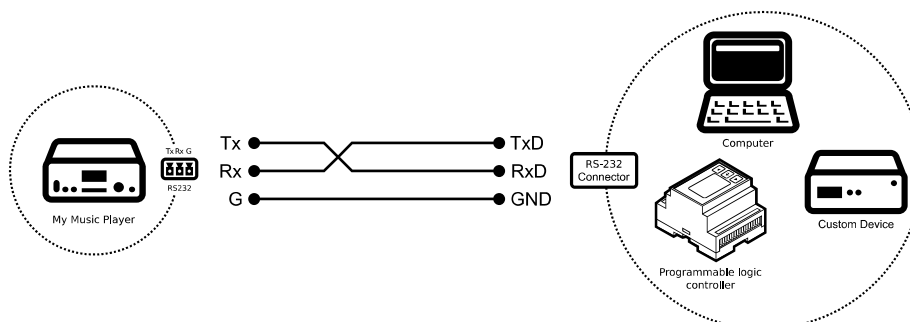
The reception protocol uses of a 4-byte frame that designates a command to be executed by the player. A command is composed of 3 distinct and consecutive sections: the code of the command, the parameter value of the command, and the option value of the command.

| Byte 1       | Byte 2    | Byte 3 | Byte 4 |
|--------------|-----------|--------|--------|
| Command Code | Parameter |        | Option |

1. The first byte of the frame (Command Code) is the type of the command.
2. The second and third bytes of the frame (Parameter) are the value of a parameter required to execute the command. It is 16-bit value (2 bytes), first the high byte then the low byte. The value range of the parameter depends on the selected command.
3. The fourth byte of the frame (Option) is the value of a complementary parameter required to execute the command. The available values of the option depend on the selected command.

**Note:** If the parameter or the option is not required to execute the command, the value of the bytes that constitute them will be equal to FFh.

### F.IV. Connection Diagram



Connection diagram of the My Music Player RS-232 link with another compatible device.

## F.V. RS-232 Command List

| Code | Parameter      |        |        | Option     | Description  |
|------|----------------|--------|--------|------------|--|
|      | Byte 1         | Byte 2 | Byte 3 | Byte 4     |  |
| 00h  | 0001h to 03E7h |        |        | FFh        | Play a Music folder in random mode (from <b>MUS001</b> to <b>MUS999</b> ).   |
| 01h  | 0001h to 03E7h |        |        | FFh        | Play a Music folder in random mode with the reset option (from <b>MUS001</b> to <b>MUS999</b> ).                     |
| 02h  | 0001h to 03E7h |        |        | FFh        | Play a Music folder in sequential mode (from <b>MUS001</b> to <b>MUS999</b> ).                                       |
| 03h  | 0001h to 03E7h |        |        | FFh        | Play a Music folder in sequential mode with the reset option (from <b>MUS001</b> to <b>MUS999</b> ).                 |
| 08h  | 0001h to 03E7h |        |        | FFh        | Play a Playlist folder in random mode (from <b>PLS001</b> to <b>PLS999</b> ).  |
| 09h  | 0001h to 03E7h |        |        | FFh        | Play a Playlist folder in random mode with the reset option (from <b>PLS001</b> to <b>PLS999</b> ).                  |
| 0Ah  | 0001h to 03E7h |        |        | FFh        | Play a Playlist folder in sequential mode (from <b>PLS001</b> to <b>PLS999</b> ).                                    |
| 0Bh  | 0001h to 03E7h |        |        | FFh        | Play a Playlist folder in sequential mode with the reset option (from <b>PLS001</b> to <b>PLS999</b> ).              |
| 10h  | 0001h to 03E7h |        |        | FFh        | Play a Spot folder in random mode (from <b>SPT001</b> to <b>SPT999</b> ).  |
| 11h  | 0001h to 03E7h |        |        | FFh        | Play a Spot folder in sequential mode (from <b>SPT001</b> to <b>SPT999</b> ).  |
| 12h  | 0001h to 03E7h |        |        | 01h to FFh | Play in random mode from <b>1</b> to <b>255</b> files into a Spot folder (from <b>SPT001</b> to <b>SPT999</b> ).     |
| 14h  | 0001h to 03E7h |        |        | 01h to FFh | Play in sequential mode from <b>1</b> to <b>255</b> files into a Spot folder (from <b>SPT001</b> to <b>SPT999</b> ). |
| 20h  | FFFFh          |        |        | FFh        | Resume the playback.   |
| 22h  | FFFFh          |        |        | FFh        | Stop the playback.   |
| 23h  | FFFFh          |        |        | FFh        | Play the next track or next web radio.   |
| 24h  | FFFFh          |        |        | FFh        | Play the previous track or previous web radio.   |
| 30h  | 0000h to 0040h |        |        | 00h        | Set the main volume attenuation from <b>0</b> to <b>-63</b> .  |
| 33h  | 00h or 01h     |        |        | 00h        | Enable or disable the mute to <b>ON</b> or <b>OFF</b> .  |
| 40h  | 0001h to 000Ah |        |        | FFh        | Play a web radio (from the preset <b>1</b> to <b>10</b> ).   |
| 41h  | 0001h to 000Ah |        |        | FFh        | Preform a FTP update (from the preset <b>1</b> to <b>10</b> ).   |
| 51h  | FFFFh          |        |        | FFh        | Play an Alternate Media plugged on the SD/SDHC memory card slot.   |
| 52h  | FFFFh          |        |        | FFh        | Play an Alternate Media plugged on the External USB host receptacle.   |
| 53h  | FFFFh          |        |        | FFh        | Play an Alternate Media plugged on the Internal USB host receptacle.   |
| 54h  | FFFFh          |        |        | FFh        | Play an Alternate Media plugged on the SATA host receptacle ( <i>HW V1.0 only</i> ).                                 |
| 5Bh  | FFFFh          |        |        | FFh        | Switch to auxiliary audio input.   |